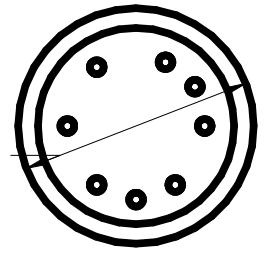




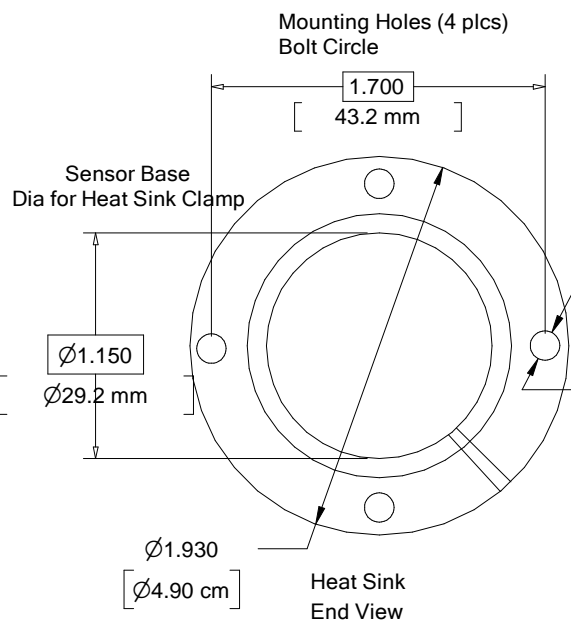
REVISIONS

ZONE	REV	DESCRIPTION	DATE	APPROVED
------	-----	-------------	------	----------

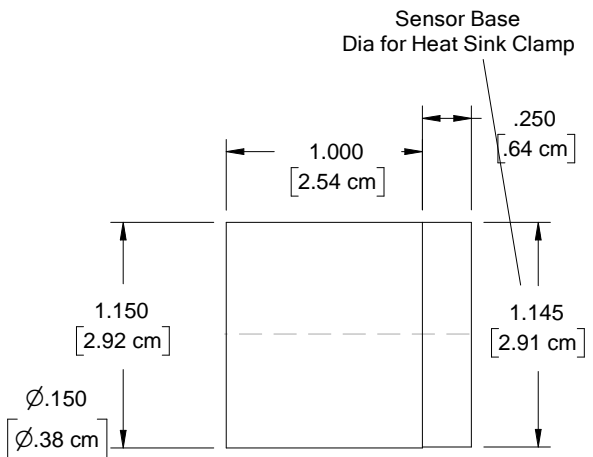
Dimensions: Inch
cm



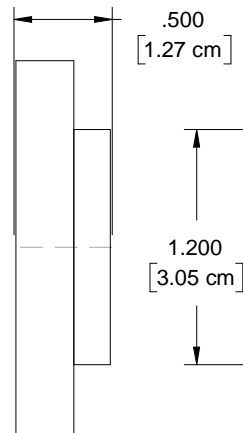
Electronics End View



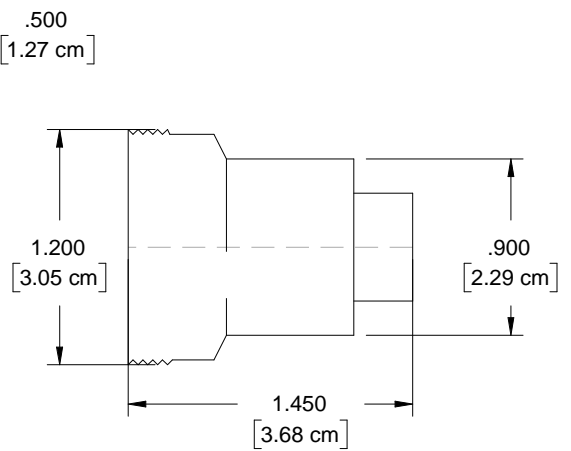
Heat Sink End View



Sensor (65 gr)
Side View



Heat Sink (83 gr)
Side View



Electronics (34 gr)
Side View

	DRAWN	DATE	Electronics / Heat Sink / Sensor Unassembled			
		10/27/08				
	CHECKED		DWG- 46E/T			
QA						
	MFG		SIZE	FSCM NO.	DWG NO.	REV
	APPROVED		A			
			SCALE			SHEET

